



MOTORPUMP™ — 3500 RPM

60 HERTZ, 2 X 1.5 X 6.5 NPT

50
JM

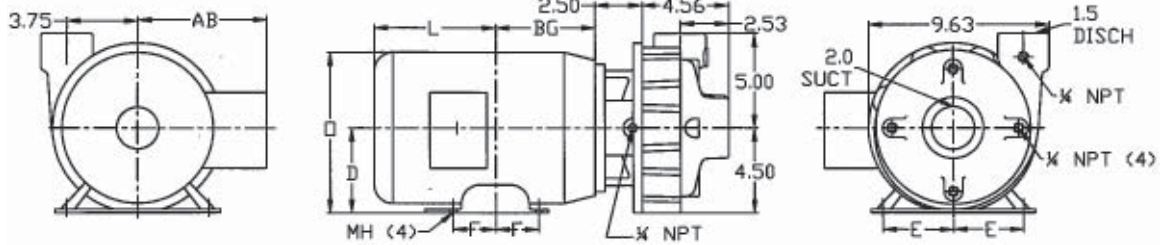
MOTOR DIMENSIONS

NEMA JM FRAME 3 PHASE 3500 RPM

HP	Type	Frame	D	E	F	O	AB	BG	L	MH
2	ODP	JM145	3.50	2.75	2.50	6.77	6.58	4.59	5.05	0.34
3	ODP	JM145	3.50	2.75	2.50	6.77	6.58	4.59	5.81	0.34
5	ODP	JM182	4.50	3.75	2.25	8.31	6.58	4.84	5.27	0.41
7.5	ODP	JM184	4.50	3.75	2.75	8.31	6.58	5.34	5.56	0.41
2	TEFC	JM145	3.50	2.75	2.50	7.00	5.87	5.06	6.34	0.34
3	TEFC	JM182	4.50	3.75	2.25	8.85	7.09	5.01	7.14	0.41
5/7.5	TEFC	JM184	4.50	3.75	2.75	8.85	7.09	5.51	7.64	0.41

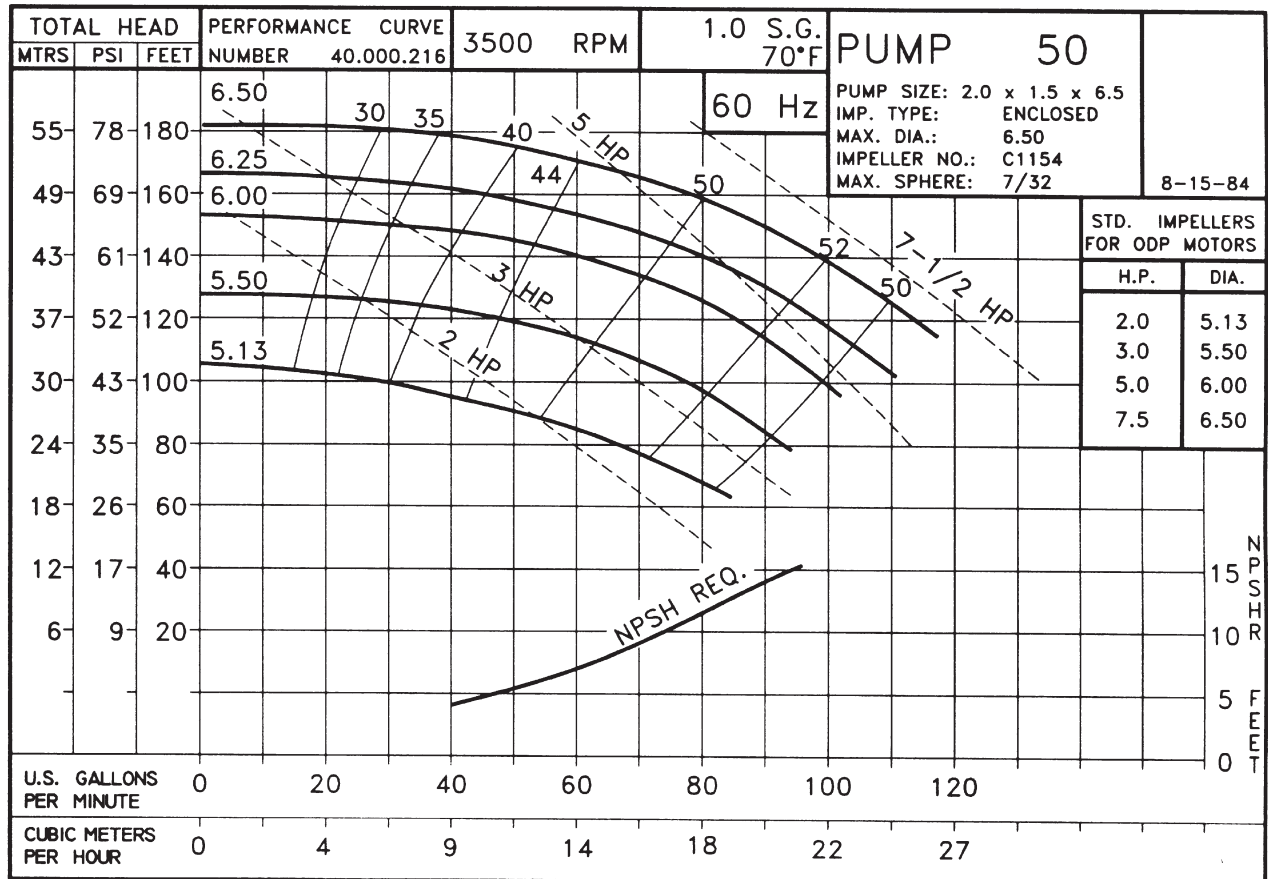
D050JM182

DRAWING DEPICTS 5HP JM182 ODP MOTOR



ALL DIMENSIONS IN INCHES.

DRAWING REPRESENTS APPROXIMATE PUMP DIMENSIONS. AUTOCAD DRAWING TO SCALE AVAILABLE FROM FACTORY.

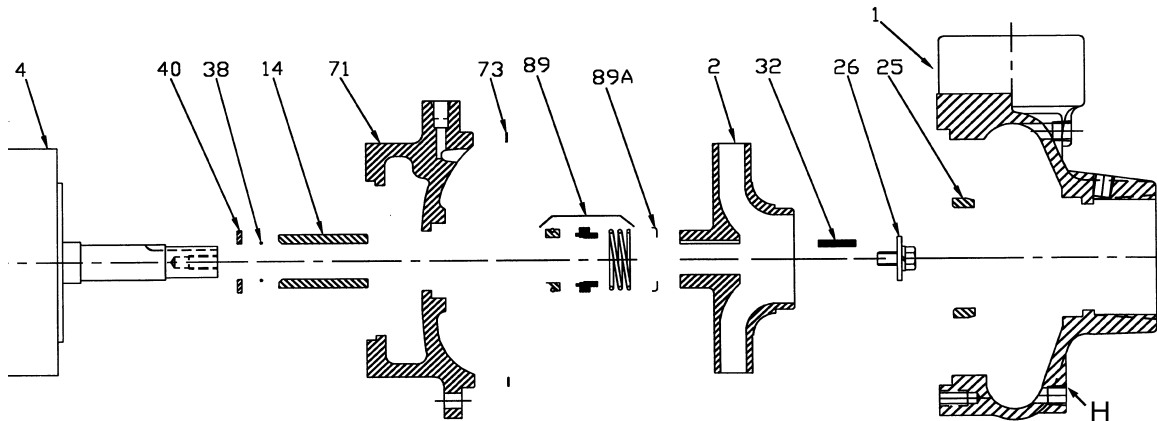


05005DP D050JM182
0503500

50
JM

0503500JM
81.000.908 G5

Pump 50 • Iron • JM Frame • 3500 RPM



E054JM

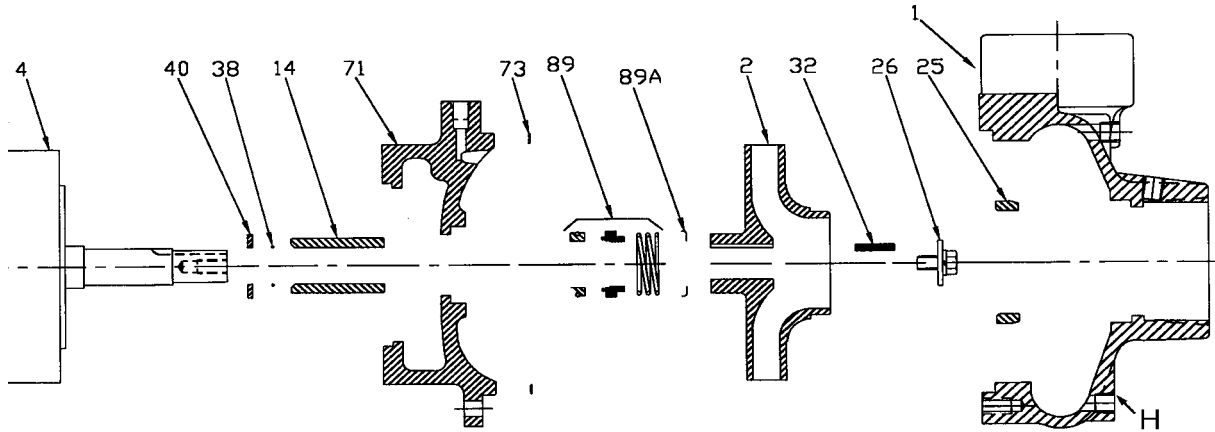
KEY NO.	PART NAME	Pump No. 50
1+	CASE, IRON, 2 x 1.5 NPT	130.000.257X
2	IMPELLER, 7/8" KEYED, ENCLOSED, SPECIFY DIAMETER: IRON BRONZE	131.000.832 131.000.829
4	MOTOR, JM140/180	See Chart
14*	SHAFT SLEEVE, BRONZE SHAFT SLEEVE, STAINLESS	110.000.178 110.000.192
25	WEAR RING, BRONZE WEAR RING, STEEL	103.000.135 103.000.155
26*	IMPELLER RETAINER, STAINLESS	118.000.163A
32*	KEY, STAINLESS	102.000.102
38*	O-RING, SHAFT, BUNA O-RING, SHAFT, VITON	116.000.117 116.000.105
40*	FLINGER, STAINLESS	104.000.165
71	ADAPTER, IRON - JM140/180	132.000.202X
73*	GASKET, CASE, FIBER	116.000.157
89*	1½" SEALS: BN-CARB/CM VN-CARB/CM VN-CARB/SIL VN-SIL/SIL EPDM-CARB/SIL EPDM-SIL/SIL	101.000.168 101.000.191 101.000.175 101.000.204 101.000.175B 101.000.204A
89A*	SEAL RETAINER, STAINLESS	104.000.174
--	° REPAIR KITS: BN-CARB/CM SEAL VN-CARB/CM SEAL (S) VN-CARB/CM SEAL VN-CARB/SIL SEAL VN-SIL/SIL SEAL (S) EPDM-CARB/SIL SEAL EPDM-SIL/SIL SEAL	118.000.344 118.000.344A 118.000.344K 118.000.344B 118.000.344F 118.000.344C 118.000.344D

* DENOTES COMPONENTS INCLUDED IN REPAIR KIT.

+ INCLUDES BRONZE WEAR RING. FOR STEEL WEAR RING, REPLACE SUFFIX "X" WITH "X1".

° ALL REPAIR KITS INCLUDE THE BRONZE SHAFT SLEEVE EXCEPT THE (S) INDICATED, WHICH IS STAINLESS WITH VITON SHAFT O-RING.

Pump 50 • Iron • JM Frame • 3500 RPM



E054JM

CONSTRUCTION OPTIONS

KEY	PART NAME	STANDARD FITTED	BRONZE FITTED	ALL IRON
1	Case	Iron	Iron	Iron
2	Impeller	Iron	Bronze	Iron
14	Shaft Sleeve	Bronze	Bronze	Stainless
25	Wear Ring	Bronze	Bronze	Steel
26	Impeller Retaining Assy	Stainless	Stainless	Stainless
32	Key	Stainless	Stainless	Stainless
38	Shaft O-Ring	BUNA	BUNA	BUNA
40	Flinger	Stainless	Stainless	Stainless
71	Adapter	Iron	Iron	Iron
73	Gasket, Case	Fiber	Fiber	Fiber
89	Mechanical Seal, Type 21 BN-CM	Standard	Standard	Standard
89A	Seal Spring Retainer	Stainless	Stainless	Stainless
H	Plug, Drain	Brass	Brass	Plated Steel

C4

C0503500JM