



MOTORPUMP™ — 3500 RPM

60 HERTZ, 6 X 5 X 7.0 ANSI FLG

59
JM

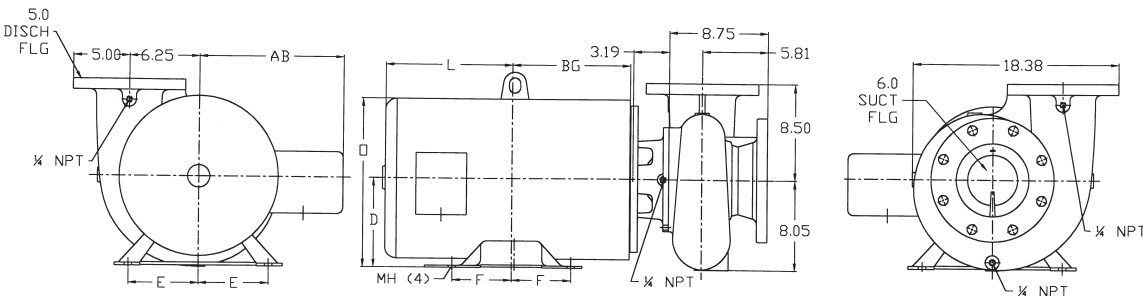
MOTOR DIMENSIONS

NEMA JM FRAME 3 PHASE 3500 RPM

HP	Type	Frame	D	E	F	O	AB	BG	L	MH
25	ODP	JM256	6.22	5.00	5.00	12.20	9.76	9.00	9.40	0.53
30	ODP	JM284	7.00	5.50	4.75	13.86	10.55	9.25	9.51	0.53
40	ODP	JM286	7.00	5.50	5.50	13.86	10.55	10.00	10.25	0.53
50	ODP	JM324	8.00	6.25	5.25	15.55	11.61	10.25	10.68	0.66
60	ODP	JM326	8.00	6.25	6.00	15.55	11.61	11.00	11.43	0.66
75	ODP	JM364*	9.00	7.00	5.63	18.43	14.57	11.25	12.39	0.75
20/25	TEFC	JM256	6.25	5.00	5.00	12.37	10.19	9.01	11.70	0.53
30	TEFC	JM286	7.00	5.50	5.50	13.93	10.89	10.02	13.04	0.53
40	TEFC	JM324	8.00	6.25	5.25	15.78	11.66	10.25	13.83	0.66
50	TEFC	JM326	Contact Factory							
60	TEFC	JM364*								
75	TEFC	JM365*								

D059JM324

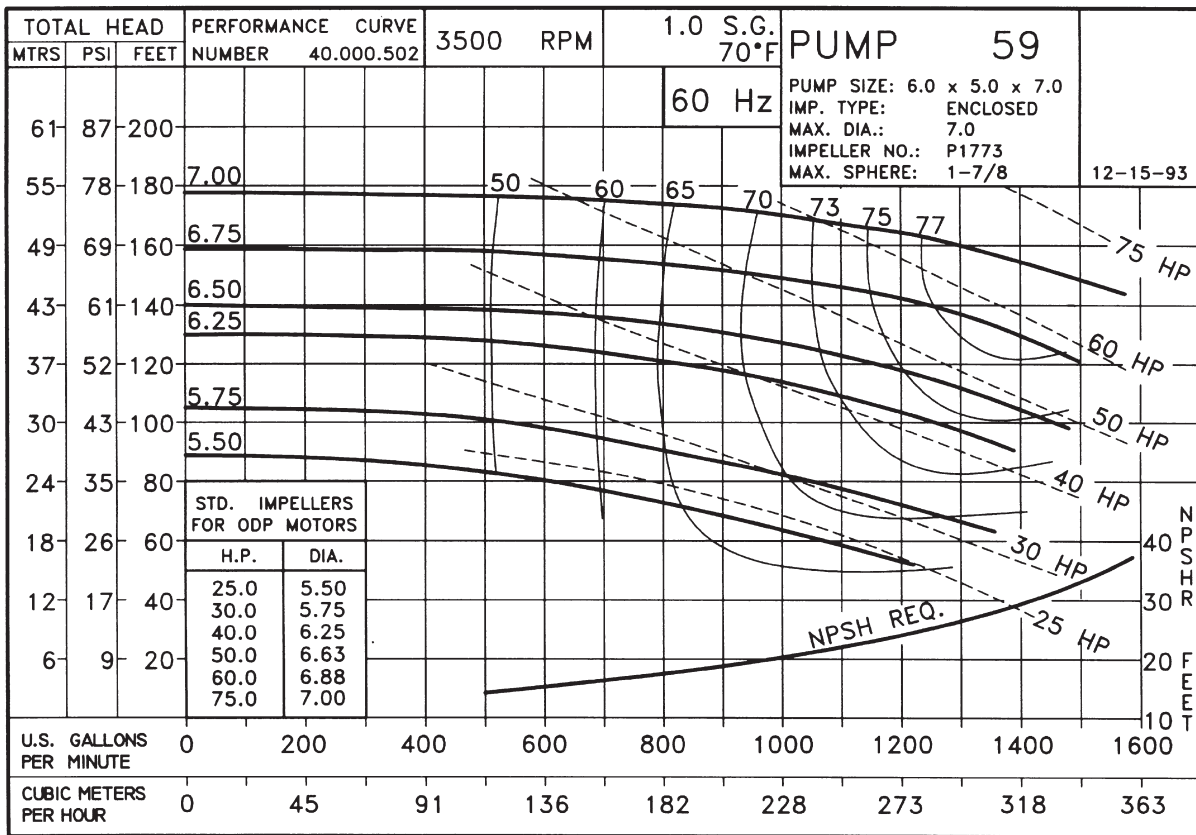
DRAWING DEPICTS JM324 50HP ODP MOTOR



ALL DIMENSIONS IN INCHES.

DRAWING REPRESENTS APPROXIMATE PUMP DIMENSIONS. AUTOCAD DRAWING TO SCALE AVAILABLE FROM FACTORY.

*326 Shaft

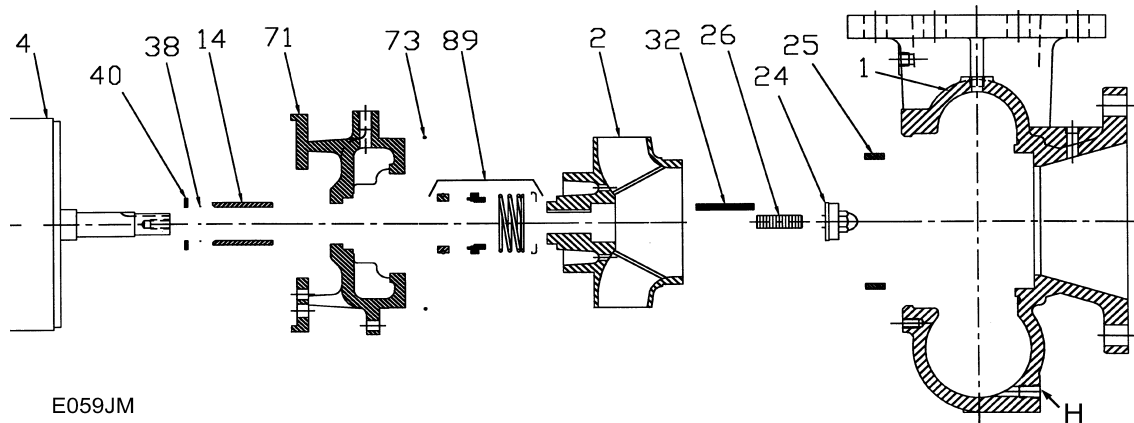


59
JM

D059JM324
0593500

0593500JM
81.001.171 K5

Pump 59 • Iron • JM Frame • 3500 RPM



E059JM

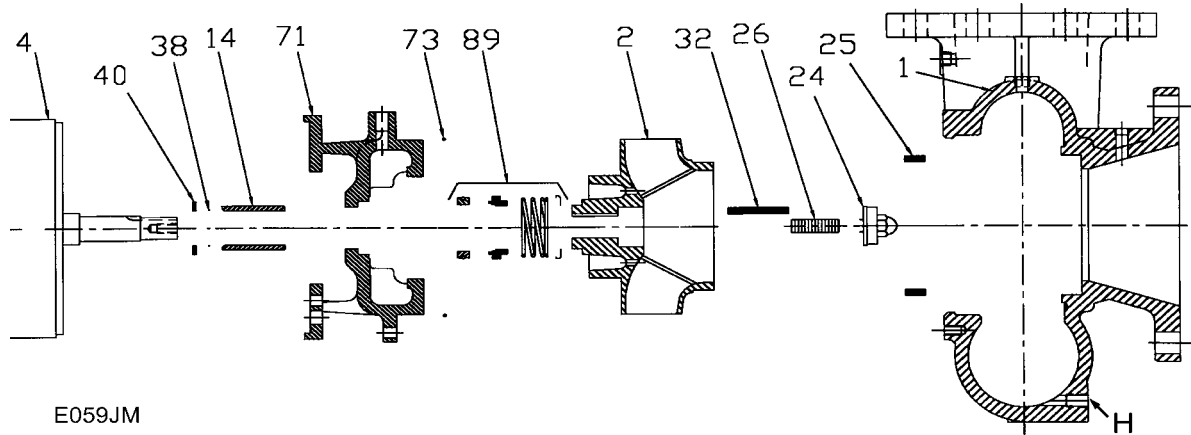
KEY NO.	PART NAME	PUMP NO. 59
1+	CASE, IRON, 6 x 5 FLG	137.000.563X
2	IMPELLER, 1¼" KEYED, ENCLOSED, SPECIFY DIAMETER:	
	IRON	137.000.569
	BRONZE	137.000.734
4	MOTOR, JM280/320	See Chart
	MOTOR, JM360	See Chart
14*	SHAFT SLEEVE, BRONZE	110.000.366
	SHAFT SLEEVE, STAINLESS	110.000.365
24*	NUT, STAINLESS	110.000.304A
25	WEAR RING, BRONZE	137.000.565
	WEAR RING, STEEL	137.001.641
26*	STUD, STAINLESS	105.000.385
32*	KEY, STAINLESS	102.000.257
38*	O-RING, SHAFT, BUNA	116.000.218
	O-RING, SHAFT, VITON	116.000.218A
40*	FLINGER, STAINLESS	104.000.200
71	ADAPTER, IRON - JM280/320/360	137.000.568X
73*	GASKET, CASE, FIBER	116.000.184
89*	1¼" SEALS:	
	BN-CARB/CM	101.000.196
	VN-CARB/CM	101.000.216
	VN-CARB/NR	101.000.221
	VN-SIL/SIL	101.000.231
	EPDM-CARB/NR	101.000.196B
	EPDM-SIL/SIL	137.001.555
--	° REPAIR KITS:	
	BN-CARB/CM SEAL	118.000.530
	VN-CARB/CM SEAL (S)	118.000.530A
	VN-CARB/NR SEAL	118.000.530B
	VN-SIL/SIL SEAL (S)	118.000.530D
	EPDM-CARB/NR SEAL	118.000.530C
	EPDM-SIL/SIL SEAL	118.000.530F

* DENOTES COMPONENTS INCLUDED IN REPAIR KIT.

+ INCLUDES BRONZE WEAR RING. FOR STEEL WEAR RING, REPLACE SUFFIX "X" WITH "X1".

° ALL REPAIR KITS INCLUDE THE BRONZE SHAFT SLEEVE EXCEPT THE (S) INDICATED, WHICH IS STAINLESS WITH VITON SHAFT O-RING.

Pump 59 • Iron • JM Frame • 3500 RPM



E059JM

CONSTRUCTION OPTIONS				
KEY	PART NAME	STANDARD FITTED	BRONZE FITTED	ALL IRON
1	Case	Iron	Iron	Iron
2	Impeller	Iron	Bronze	Iron
14	Shaft Sleeve	Bronze	Bronze	Stainless
24	Nut	Stainless	Stainless	Stainless
25	Wear Ring	Bronze	Bronze	Steel
26	Stud	Stainless	Stainless	Stainless
32	Key	Stainless	Stainless	Stainless
38	Shaft O-Ring	BUNA	BUNA	BUNA
40	Flinger	Stainless	Stainless	Stainless
71	Adapter	Iron	Iron	Iron
73	Gasket, Case, O-Ring	BUNA	BUNA	BUNA
89	Mechanical Seal, Type 21 BN-CM	Standard	Standard	Standard
H	Plug, Drain	Brass	Brass	Plated Steel